



 **ADOKAPI[®]**

TECHNICAL PRESENTATION



The largest inhouse door factory in Europe, the Middle East and Africa with a capacity of 1.000.000 doors per year.

ADOKAPI Composite In-House Doors factory, was established in 2006. The production plant, which was set up with the cutting-edge technology in a covered area of 30,000 m², started manufacturing composite doors in October 2007. And now continues its production with a 60.000 m² closed area.

With its superb technology combining wood and PVC materials, Adokapi manufactures wooden composite in-house doors

which are moisture-resistant, anti-bacterial, highly durable as well as aesthetic.

As the largest manufacturer of wooden composite in-house doors in Europe and the Middle East, Adokapi presents its unique quality to end-users on a global scale through its wide network of vendors.

***If you are ready for change,
our door is always open to you.***



We reinterpreted every door that life opens to the earth with great precision. While bringing nature and technology together in interior doors, every new door opened. We did not forget that it means a life.

ADOKAPI combines the naturalness of wood and composite durability with ease of assembly and use. As we put them together, we prepared each of them to witness a whole life.



WATER
RESISTANT



RESISTANT
TO IMPACTS



ANTI-
BACTERIAL



RESISTANT
TO MOISTURE



PAINT AND
MAINTENANCE
ARE NOT REQUIRED



B1
FIREPROOF

WHY CHOOSE ADOKAPI?

- ANTIBACTERIAL
- HUMID FREE
- ENVIRONMENTAL FRIENDLY
- SCRATCH FREE
- TERMITE FREE
- MAINTENANCE FREE



ADVANTADGES OF COMPOSITE FRAME

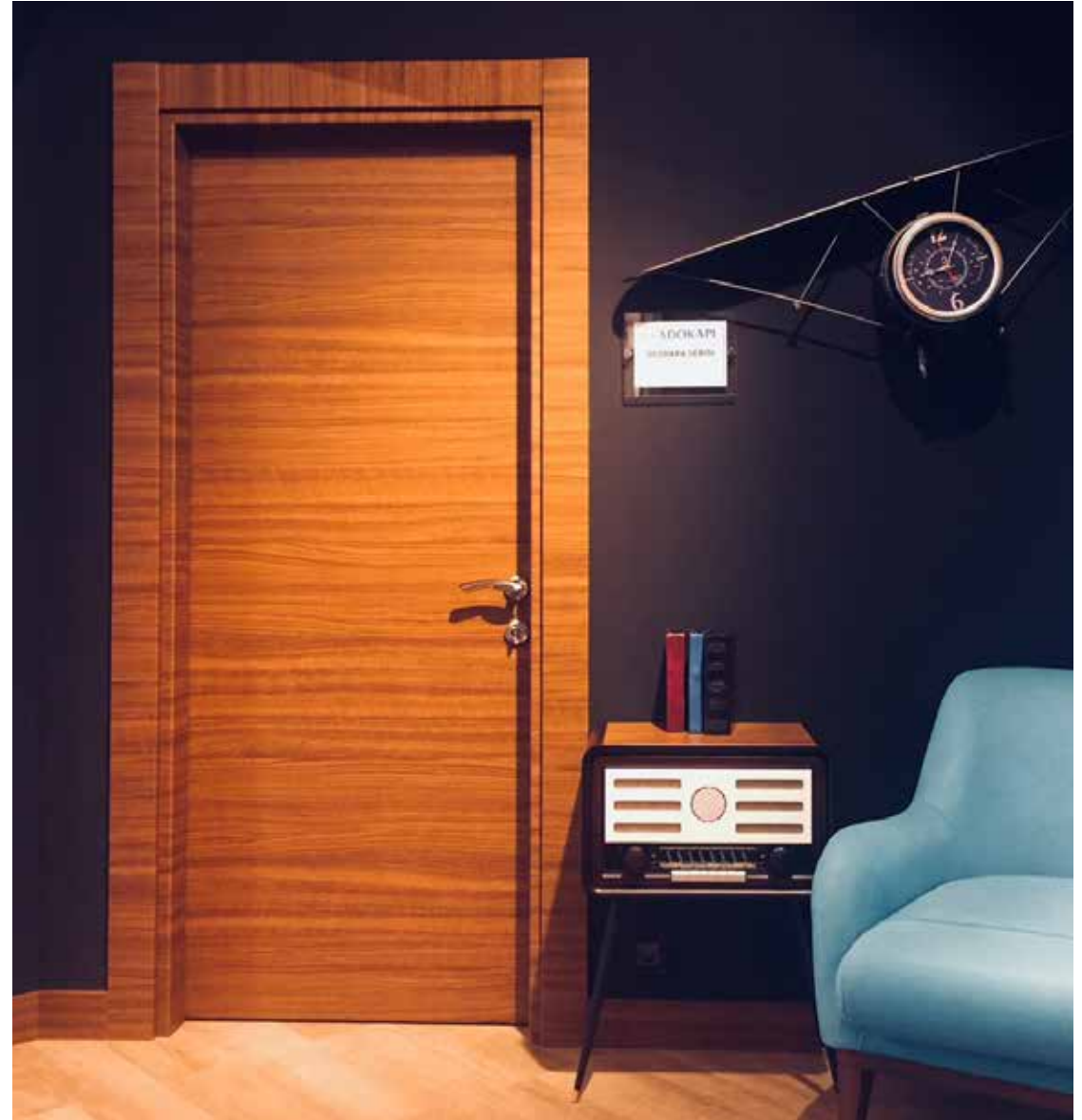
- Door Frame & Cornices, when pvc foil is applied a combination of PVC and Wood which becomes very rigid material. It is covered by PVC foil.
- It has very high water resistancy.
- It is recylcable material. We save forests.
- Durability of impact, strach is higher than the other materials.
- Surface quality after application gives a very good result comparing to other materials.
- When PVC Foil application, it does not peel of from the surface - not like MDF or Wood.
- Comparing MDF or Wood frames, Composite Frames are manufactured faster.

COMPOSITE SYSTEM



DEODORA SYSTEM TECHNICAL

- Door Skin: 2 mm pvc sheet on 200 micron pvc foil.
- Internal Part ; 35x50mm sized % 8-12 oven dried White wood is used which is attached by finger joint system that prevents any bending problems.
- Edge Banding; 0,8mm PVC is used.
- Glue; PÜ (poliüretan)for Door Sheet
- Infill; Honeycomb or Semi Solid
- Honeycomb; 175gr/m², 1,1kg/cm², 32 mm diameter
- Semi Solid: 35 mm thickness, 28 mm hole diameter, 9,8kg/m².



DEODORA SERIES



ADO100



ADO100



ADO100



ADO100



ADO100



ADO100



ADO101



ADO103



ADO106



ADO106YK

DEODORA SERIES



ADO300



ADO300



ADO300



ADO300



ADO301



ADO301



ADO301



ADO301



ADO305



ADO305



ADO305



ADO305

DEODORA SERIES



ADO330



ADO330



ADO330



ADO330



ADO331



ADO331



ADO331



ADO331



ADO350



ADO350



ADO351



ADO351

DEODORA SERIES



NEW



ADO360

NEW



ADO360

NEW



ADO360

NEW



ADO360



ADO410



ADO410



ADO410



ADO410



ADO411



ADO411



ADO412



ADO412

DEODORA SERIES



ADO500



ADO500



ADO500



ADO500



ADO500



ADO500



ADO2000
ARGENTO MIX



ADO2000
WHITE TEAK MIX



ADO2000
TEAK MIX



ADO2100
MILANO WALNUT MIX



ADO1134



ADO1134

DEODORA SERIES



ADO1132



ADO1132



ADO1122-R



ADO1122-R



ADO1103-R



ADO1103-R



Technical Specifications

Deodora Series Door Sash

- In sash production, calibrated at 35 x 50 m thickness and up to 8 -12% moisturedried finger-joint 1st class fir tree without snag is used. In the wing, air ducts are opened in the form of a frame and reinforcement wood is used in the lock section in two directions.
- The space between the woods; dehumidified, filling all sides of the construction. Perforated Kraft honeycomb paper is used to prevent further deformation of the sash. Honeycomb paper properties; cell diameter 32 mm, hexagonal shape and minimum 1.1 kg / cm² strength 175gr / m². If required, fire resistance and sound insulation instead of Kraft honeycomb as internal filling channeled chipboard (semi solid) is used to provide these requests.
- On both sides of the sash; 2 mm PVC sheet covered with 0.2 mm Adofilm pvc foil is pressed with E1 quality glue.
- Sash thickness is 39 mm.
- The sash is sized according to standard dimensions, by applying 0.80mm tape to its quadrants, the air channel is opened in the upper part to allow the sash to breathe.
- For the lock place on the sash, a flawless slot opening process is performed on the CNC machine.
- After the sash production is completed, the product will be covered with protective nylon, and the product is shipped on the barcode label.

FAGUS SYSTEM TECHNICAL

- Door Sheet is 6 mm mdf sash surface.
- Skin is covered as 200 micron PVC foil.
- Door skin has a flat design.
- Infill; Honeycomb or Semi Solid
- Honeycomb; 150 gr/m², 0,8 kg/cm², 32mm diameter
- Semi Solid: 26 mm thickness, 20 mm hole diameter, 6,63kg/m².



FAGUS SERIES



ADO3000



ADO3000



ADO3000



ADO3000



ADO3000



ADO3000



ADO3000



ADO3000



ADO3003



ADO3003



ADO3006



ADO3006

FAGUS SERIES



ADO3122-R



ADO3122-R



ADO3122-R



ADO3122-R



ADO3122-R



ADO3122-R



ADO3122-R



ADO3201



ADO3202



ADO3203



ADO3210

FAGUS SERIES



ADO3201-3



ADO3202-3



ADO3203-3



ADO3210-3



ADO3220



ADO3223



ADO3230



ADO3232



ADO3220-3



ADO3223-3



ADO3230-3



ADO3232-3

FAGUS SERIES



ADO3380



ADO3386



ADO3268



ADO3286



ADO3310



ADO3330



ADO3310-3



ADO3330-3



ADO3430-33



ADO3430-34



ADO3430-84



ADO3430-85

CEDRUS SYSTEM TECHNICAL

- Door skin is made of 6 mm mdf sash surface.
- Different designs can be made with a CNC Machine
- Skin is covered by decorative pvc foil.
- It is a sensitive material for humidity. It should be taken into consideration.



CEDRUS SERIES



ADO7010



ADO7010



ADO7010



ADO7011



ADO7011



ADO7011



ADO7300



ADO7300



ADO7300



ADO7060



ADO7060



ADO7061

CEDRUS SERIES



ADO7400



ADO7400



ADO7403



ADO7500



ADO7500



ADO7500



ADO7020



ADO7020



ADO7020



ADO7023



ADO7024



ADO7024



ADO7027



ADO7027



ADO7027



ADO7040



ADO7040



ADO7040



ADO7044



ADO7044



ADO7044



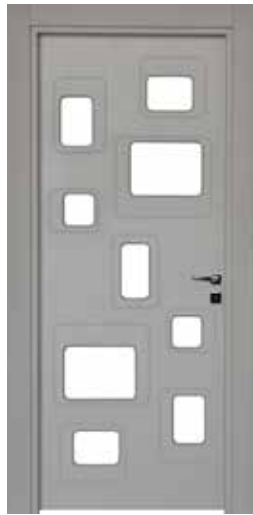
ADO7050



ADO7050



ADO7050



ADO7059



ADO7059



ADO7059



ADO7750



ADO7750



Note: Gold Walnut color is just available for 7750 model.

Technical Specifications

Fagus and Cedrus Series Door Sash

- In sash production, calibrated at 26 x 50 m thickness and up to 8 -12% moisturedried finger-joint 1st class fir tree without snag is used. In the wing, air ducts are opened in the form of a frame and reinforcement wood is used in the lock section in two directions.
- The space between the woods; dehumidified, filling all sides of the construction. Perforated Kraft honeycomb paper is used to prevent further deformation of the sash. Honeycomb paper properties; cell diameter 32 mm, hexagonal shape and minimum 1.1 kg / cm² strength 175gr / m². If required, fire resistance and sound insulation instead of Kraft honeycomb as internal filling channeled chipboard (semi solid) is used to provide these requests.
- On both sides of the sash; E1 quality 6 mm MDF with at least 720 kg / m³ density covered with 0.2mm Adofilm pvc foil is pressed with E1 quality glue.
- Sash thickness is 39 mm.
- The sash is sized according to standard dimensions, by applying 0.80mm tape to its quadrants, the air channel is opened in the upper part to allow the sash to breathe.
- For the lock place on the sash, a flawless slot opening process is performed on the CNC machine.
- After the sash production is completed, the product will be covered with protective nylon, and the product is shipped on the barcode label.

Frame

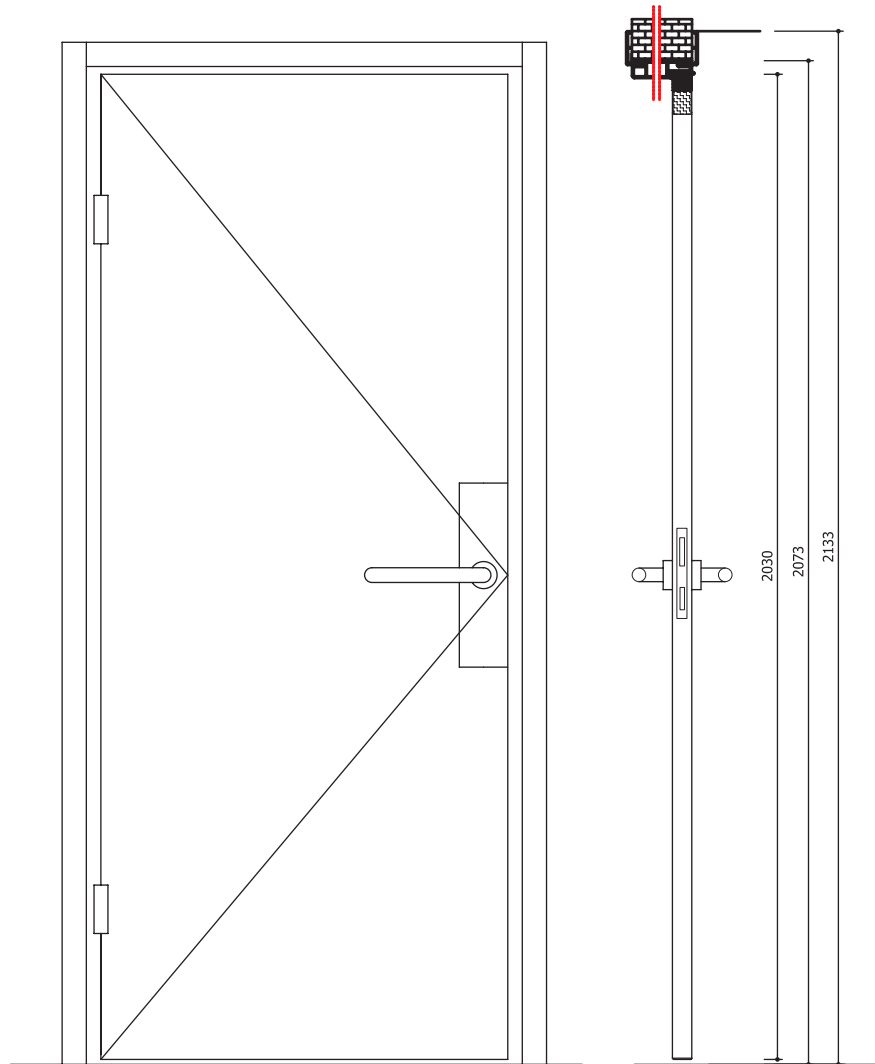
- It has a high resistance to water and moisture, and it has certain properties of wood dust, polymer and polymer additives. It was obtained by mixing the proportions.
- Frames; Made of Wood Composite (CRP) material, high PU (polyurethane) E1. It is covered with 0.2mm Ado film PVC foil with high quality glue.
- Frame dimensions; Although the width varies according to the thickness of the wall, the sash contact the surface depth is 11 mm, the thickness is 36 mm, and the cornice slot is 25 mm.
- CRP profile frame, right and left upper attachment joints are cut by CNC machine with micro metric precision at 45 degrees, and again by providing a 45 degree joint.
- The lock counter space is opened precisely to the case surface.
- Frame combination is provided with a specially produced corner joining apparatus for the CRP frame profile.
- A 10 mm thick wick is applied into the channel on the surface of the casing where the sash is pressed.
- The case is assembled, wrapped in nylon packaging and shipped with a barcode label attached to it.

Cornice

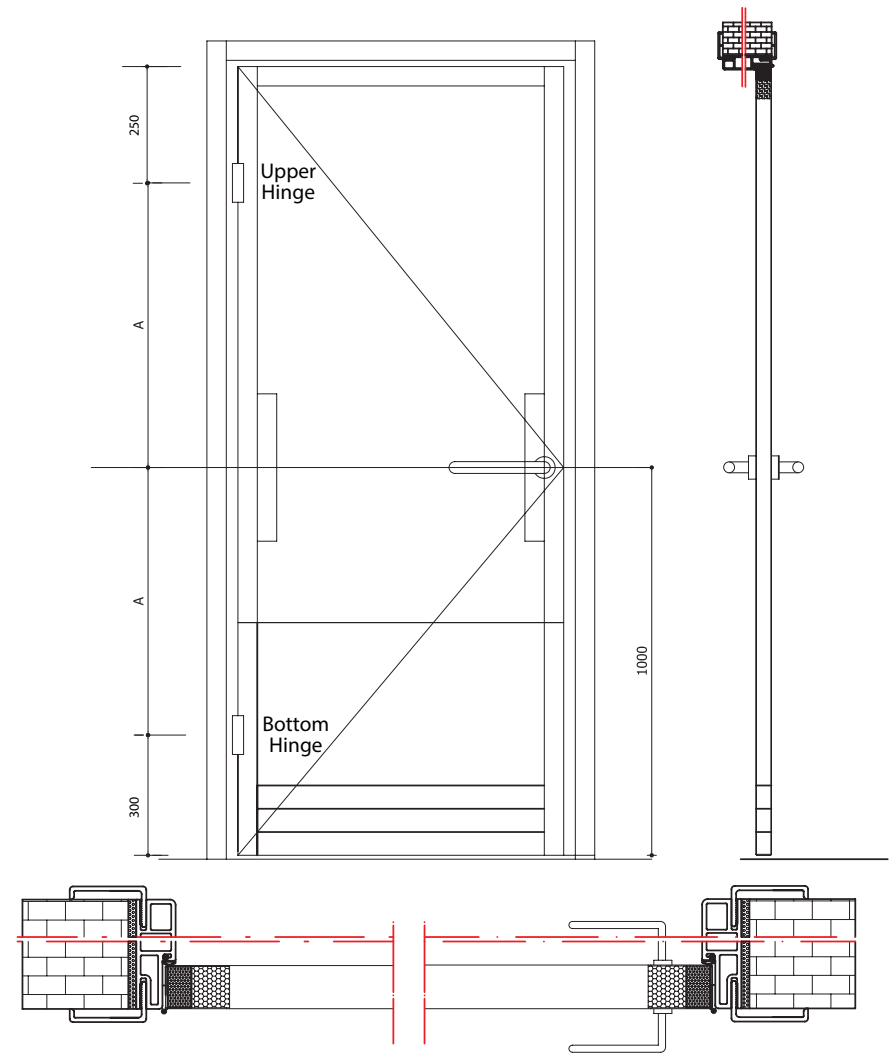
- It has high resistance to water, moisture and is obtained by mixing wood powder, polymer and polymer additives in certain proportions.
- Cornices; It is made of Wood Composite (CRP) material and is covered with 0.2mm Adofilm PVC foil with high PU (polyurethane) E1 quality glue.
- In order to be able to install the cornices without using silicone and / or glue during the assembly of the frame, the part remaining inside the frame is made of 25 mm notched.

Accessories

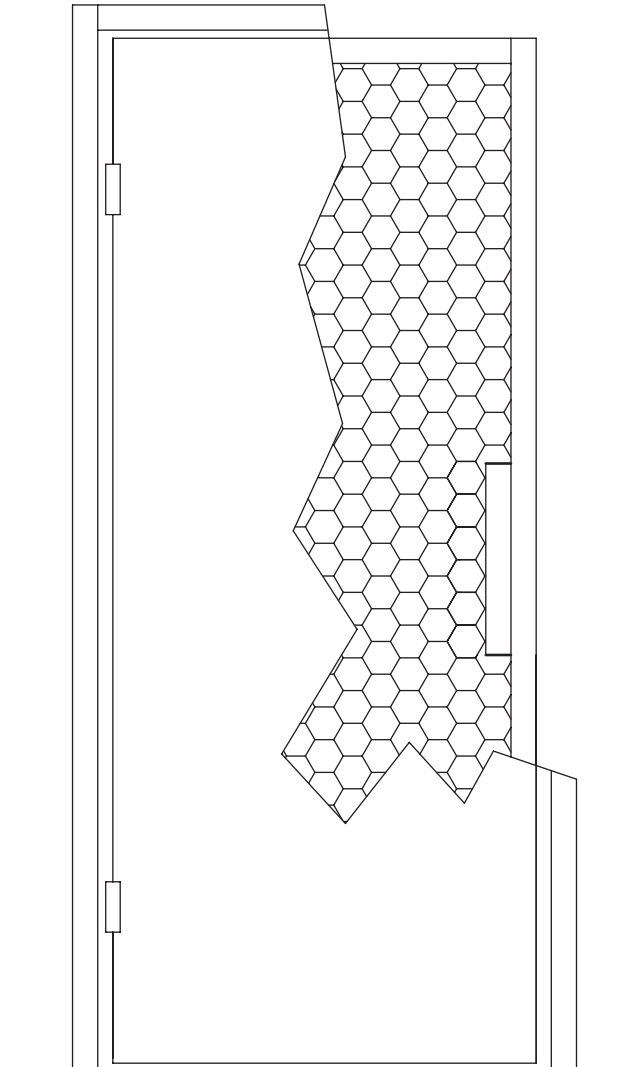
- Ado or Kale brand locks used in accordance with DIN 18251 norm are produced.
- Accado brand pomel hinge or optional different hinge is preferred.



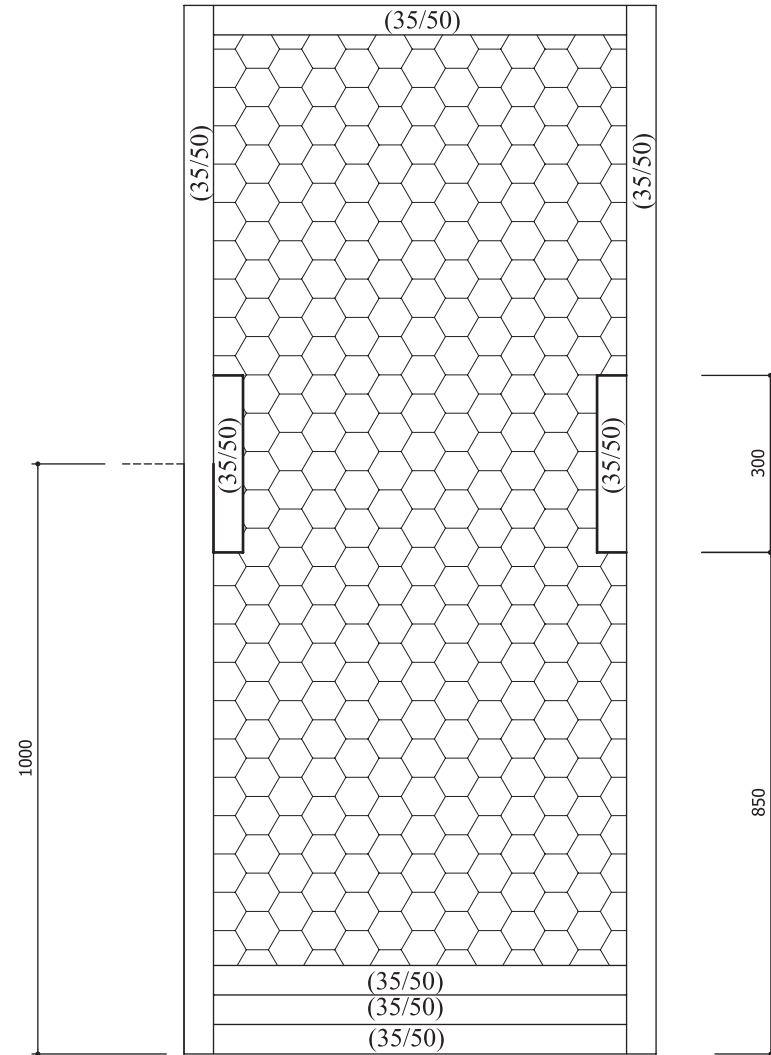
Door Front View



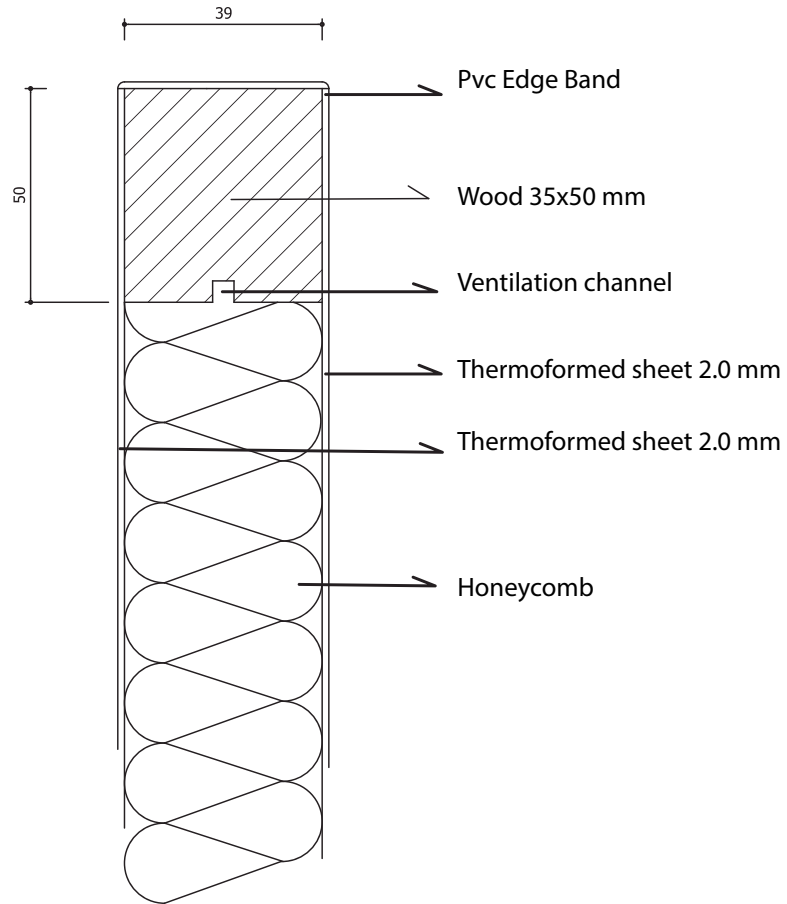
Door System Detail



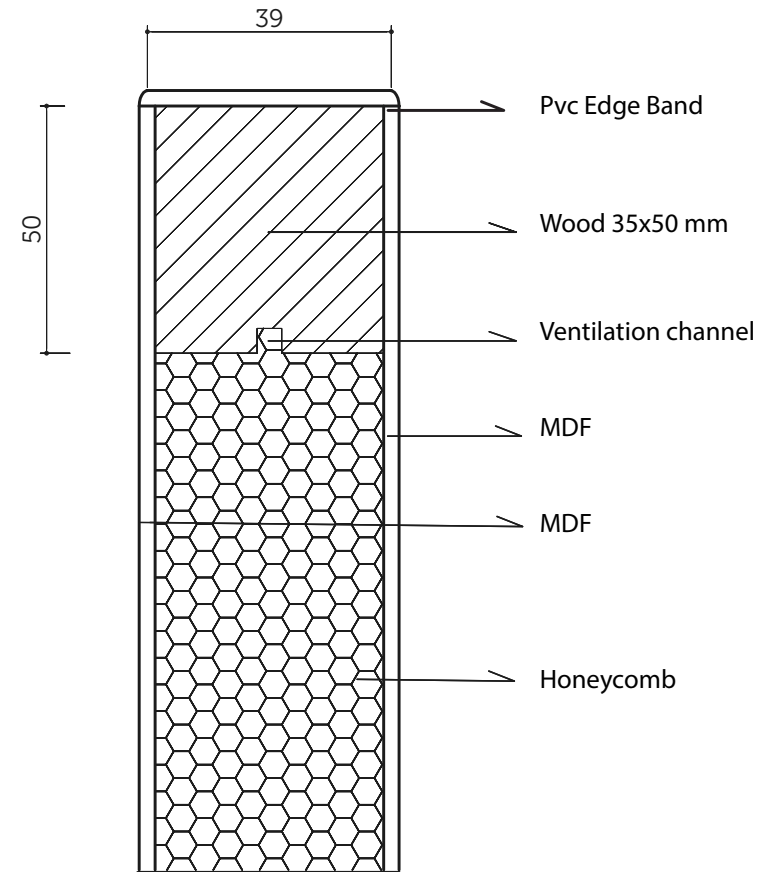
Sash Section



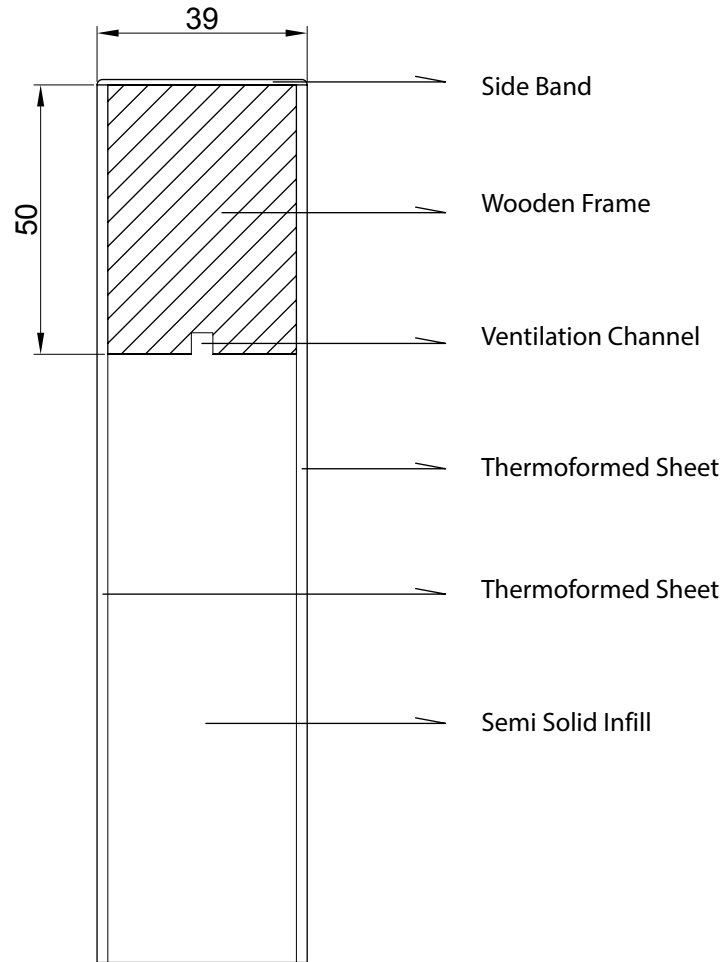
Door Sash Interior View



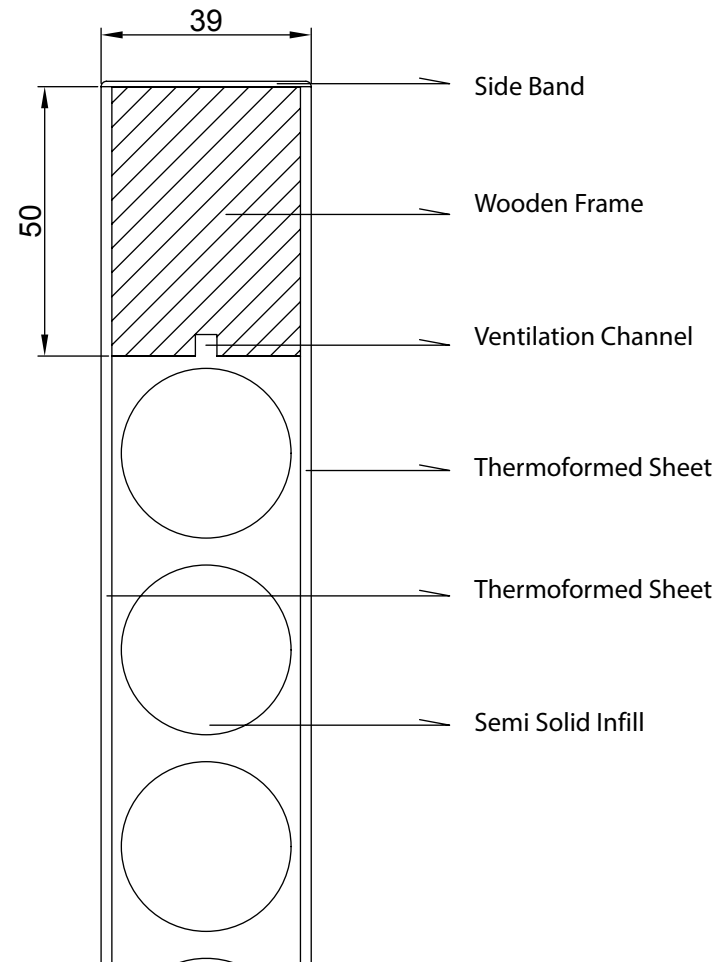
Deodora Sash Details



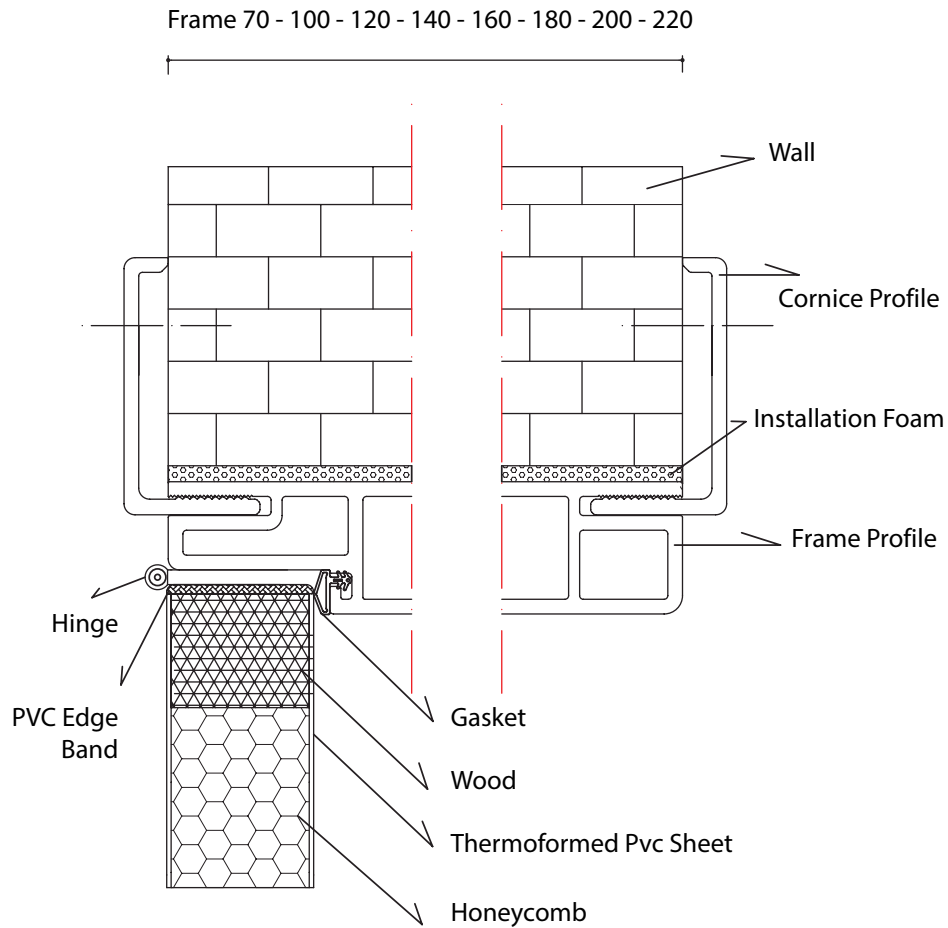
Fagus and Cedrus Sash Details



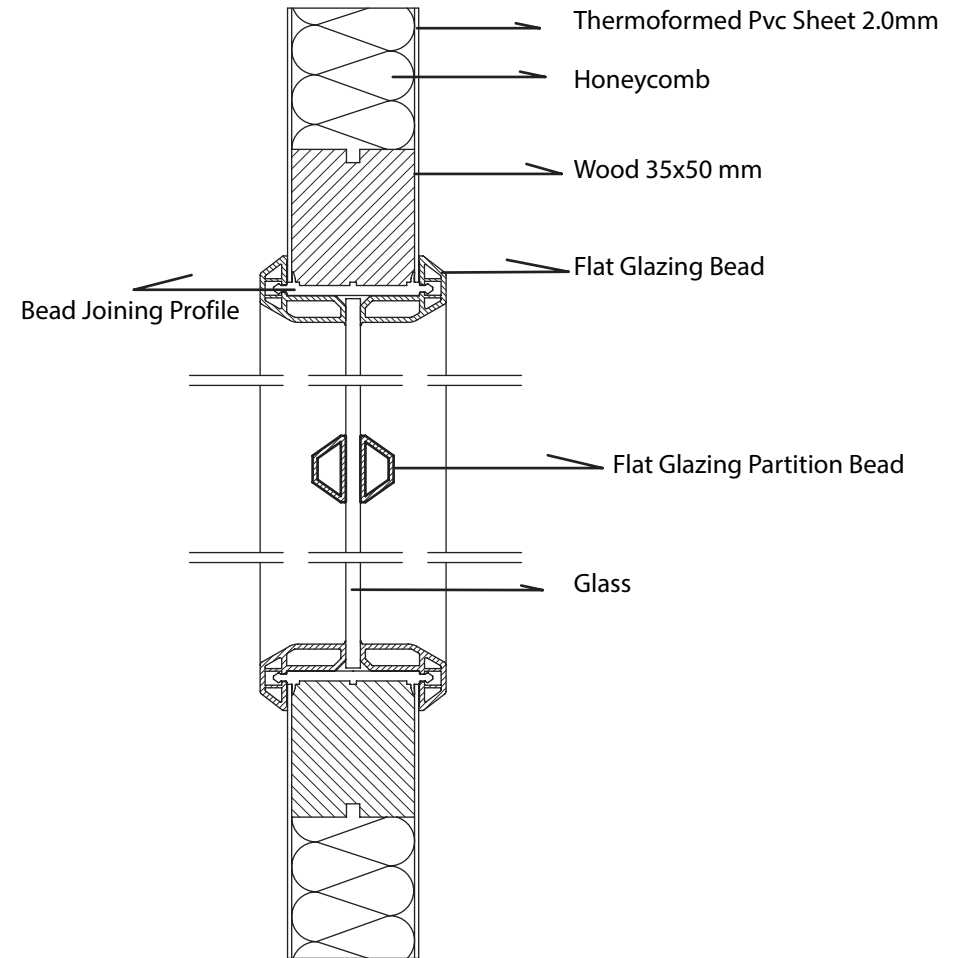
Deodora Sash Details



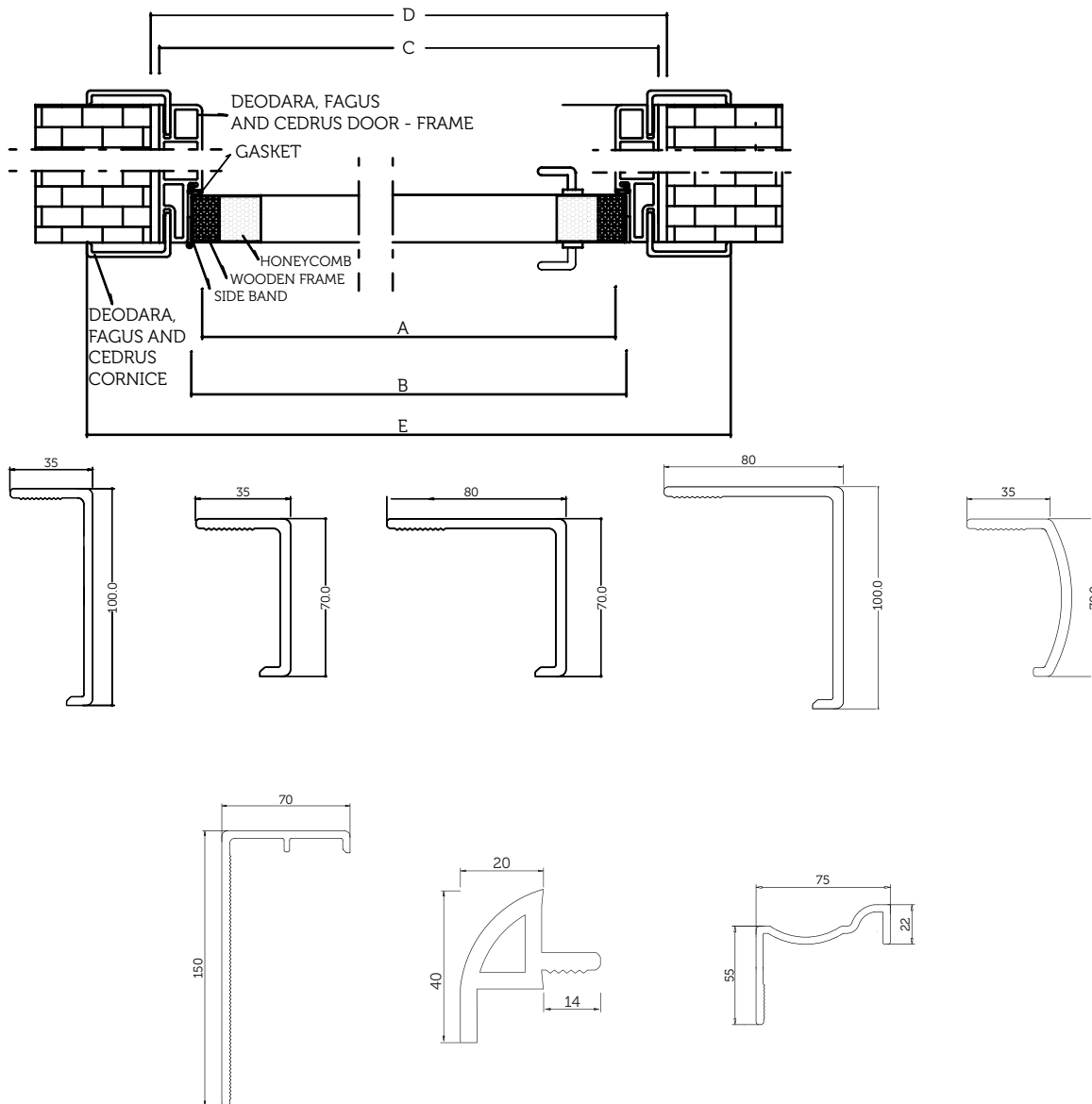
Semi-Solid Sash Details



Frame & Cornice Installation Details



Fagus and Cedrus Sash Details

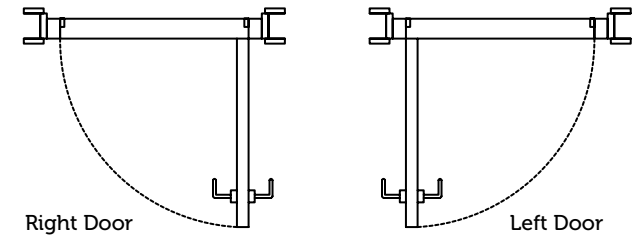


SASH LENGTH MEASUREMENT

SASH MEASUREMENT	FRAME OUTER MEASUREMENT	70mm CORNICE OUTER MEASUREMENT	100mm CORNICE OUTER MEASUREMENT
F	H	G	G
2030	2073	2133	2163

SASH WIDTH MEASUREMENT

SASH MEASUREMENT	FRAME OUTER MEASUREMENT	70mm CORNICE OUTER MEASUREMENT	100mm CORNICE OUTER MEASUREMENT
A	C	E	E
650	705	825	855
700	755	875	905
750	805	925	955
800	855	975	1005
850	905	1025	1055
900	955	1075	1105



FRAME WIDTH MEASUREMENT

FRAME WIDTH (mm)	WALL THICKNESS (min.)	WALL THICKNESS (max.)
70	70	99
100	100	119
120	120	139
140	140	159
160	160	179
180	180	199
200	200	219
220	220	239